

TORICADIFF-sPB

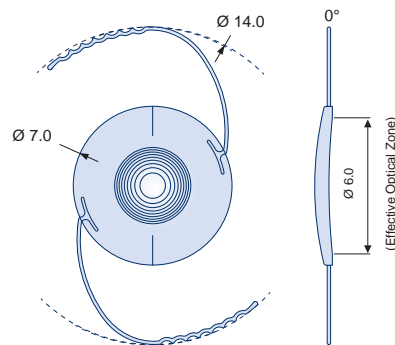
TECHNICAL INFORMATION

TORIC MULTIFOCAL
3-PIECE
ADD-ON



TORICADIFF-sPB

MS 714 TPB DIFF



Type	foldable toric multifocal posterior chamber Add-On IOL for sulcus fixation in pseudophakic eyes three-piece with undulated modified C-loop haptics
Material	optic: silicone with UV absorber, haptics: high molecular PMMA
Specifics	diffractive anterior, toric posterior surface, near addition +3.5 D (at IOL plane) ≈ aberration free ⁽²⁾ convex-concave with round anterior edge for iris protection
Diopter Range	<i>for more details on diopter categories, see page 2</i>
Sphere in 0.5 D steps	-2.5 to 1.0 D
Sphere in 1.0 D steps	----
Cylinder in 0.5 D steps	1.0 to 4.0 D
Cylinder in 1.0 D steps	----
Cylinder Axis	the two thin diametrically opposed lines in the periphery of the optic indicate the axis of the plus-cylinder
Est. A-const ⁽¹⁾	not applicable (by application principle)

⁽¹⁾ For more details please visit www.humanoptics.com

⁽²⁾ The word „aberration“ as used in this document refers to „spherical aberration“

DIOPTER CATEGORY - TORICADIFF-sPB

