

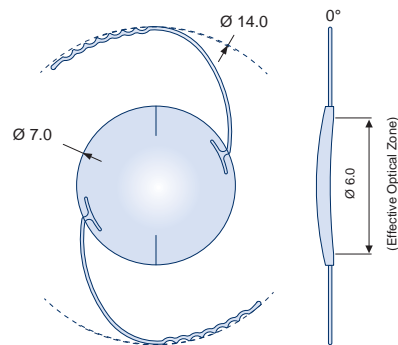
TORICA®-sPB

TECHNICAL INFORMATION

TORIC
3-PIECE
ADD-ON



TORICA®-sPB
MS 714 TPB



Type

foldable toric posterior chamber Add-On IOL
for sulcus fixation in pseudophakic eyes
three-piece with undulated modified C-loop haptics

Material

optic: silicone with UV absorber, haptics: high molecular PMMA

Specifics

toric anterior surface
convex-concave

Diopter Range

for more details on diopter categories, see page 2

Sphere in 0.5 D steps

-6.0 to 3.0 D

Sphere in 1.0 D steps

-30.0 to -7.0 D
4.0 to 6.0 D

Cylinder in 0.5 D steps

Cylinder in 1.0 D steps

1.0 to 30.0 D

Cylinder Axis

the two thin diametrically opposed lines in the periphery of
the optic indicate the axis of the plus-cylinder

Est. A-const⁽¹⁾

not applicable (by application principle)

⁽¹⁾ For more details please visit www.humanoptics.com

⁽²⁾ The word „aberration“ as used in this document refers to „spherical aberration“

DIOPTER CATEGORY - TORICA[®]-sPB

